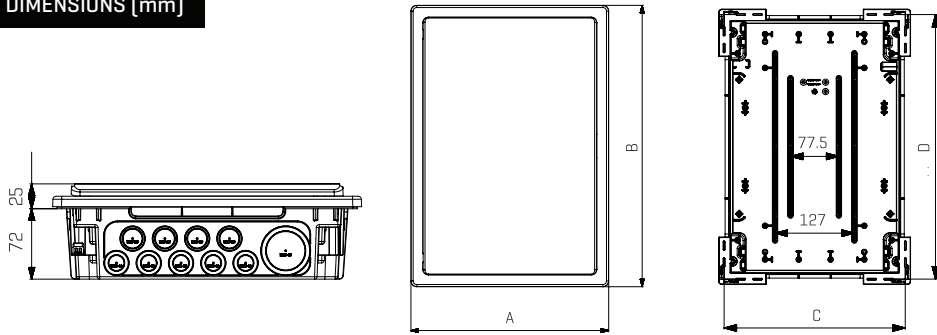
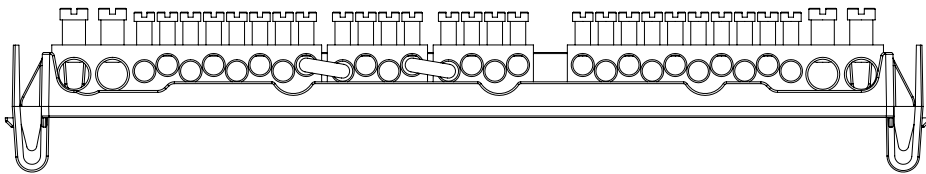
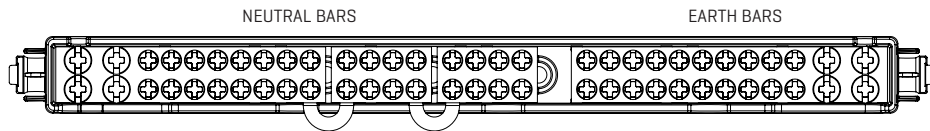


DIMENSIONS [mm]



Model	A [mm]	B [mm]	C [mm]	D [mm]
PSF12W	316	284	290	259
PSF18W	284	424	259	398
PSF24W	316	449	290	424
PSF36W	316	574	290	549

TECHNICAL SPECIFICATION



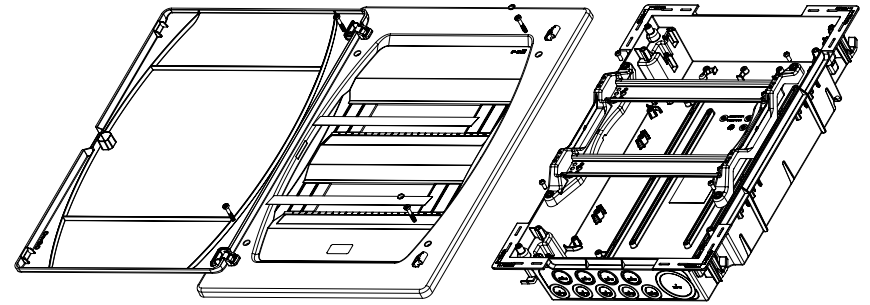
PRODUCT	SUPPLIED NEUTRAL BARS	SUPPLIED EARTH BARS
PSF12W	[2x[35mm ²]+8x[16mm ²]] + 2x[4x[16mm ²]]	2x[35mm ²]+10x[16mm ²]
PSF18W	[2x[35mm ²]+8x[16mm ²]] + 3x[4x[16mm ²]]	2x[35mm ²]+16x[16mm ²]
PSF24W	2 x [[2x[35mm ²]+8x[16mm ²]] + 2x[4x[16mm ²]]	2 x [2x[35mm ²]+10x[16mm ²]]
PSF36W	2 x [[2x[35mm ²]+8x[16mm ²]] + 3x[4x[16mm ²]]	2 x [2x[35mm ²]+16x[16mm ²]]

Rated Current of Earth and Neutral Bars = 125A

VOLTEX[®]

INSTRUCTION GUIDE

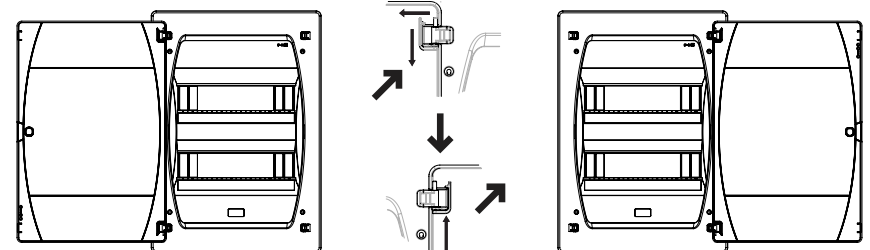
Flush Mount Switchboard IP40
PSF12W, PSF18W, PSF24W, PSF36W



ITEMS INCLUDED

PRODUCT	Front Cover and Door Assembly	Base Assembly	Module Identification Label	Spare brackets	Pole Filler Set	Sticker Label Set		
PSF12W	1	1	1	1	1	1	4	2
PSF18W	1	1	1	1	1	1	4	2
PSF24W	1	1	2	1	2	1	4	2
PSF36W	1	1	3	1	2	1	4	2

CHANGING DOOR ORIENTATION

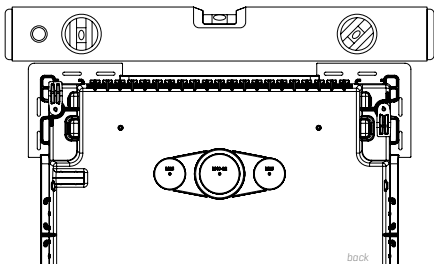


MOUNTING PROCEDURE

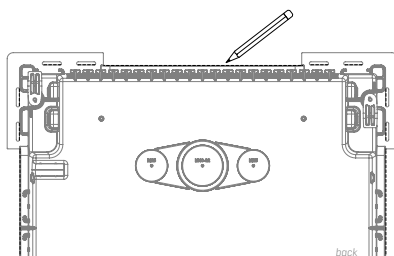


CHECK FOR STUDS BEFORE PROCEEDING WITH THE INSTALLATION.
CHECK IF YOU NEED A PROTECTION PLATE. (PROTECTION PLATE IS SOLD SEPARATELY)

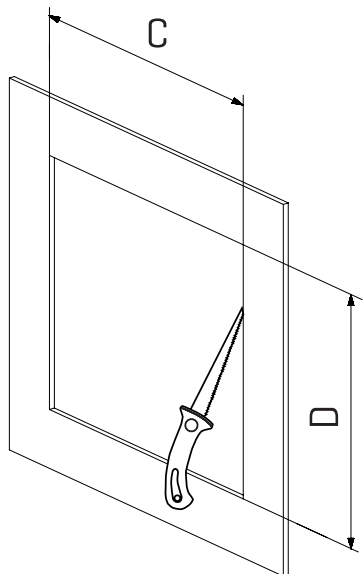
- 1 Make sure board is level.



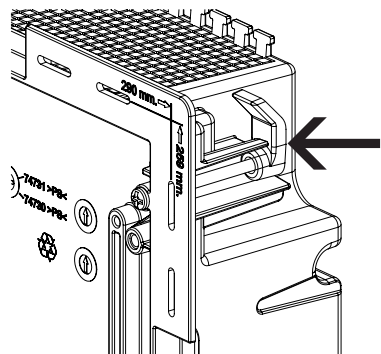
- 2 Trace around frame perimeter and through corner flange slots.



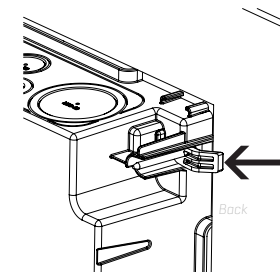
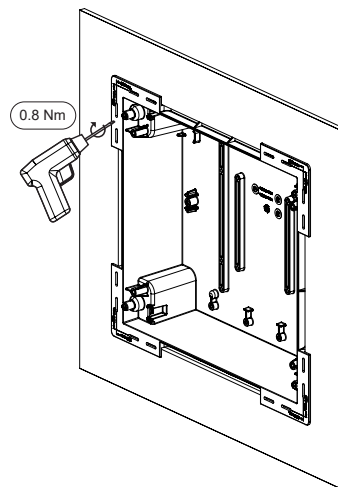
- 3 Cut hole in plasterboard.



- 4 Rotate clips within confines of board



- 5 Place board into hole, clamping brackets to plasterboard by fastening 4x corner screws



CAPS INSTALLATION

